

BONALDO

Aspen

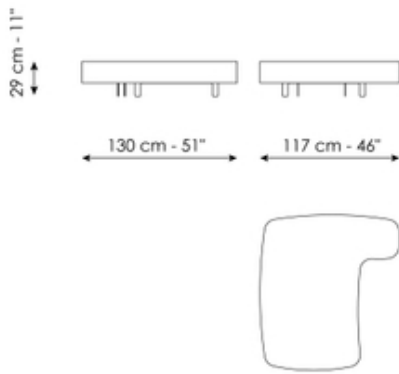
Designer: Massimo Castagna



Aspen is a collection of coffee tables characterised by the irregular shape of the top. The surface features a recessed section on one side, defining the distinctive feature of the design and creating a soft, flowing geometry. A thin edge follows the perimeter with a clean, essential line, enhancing the material of the top, available in glass or ceramic.

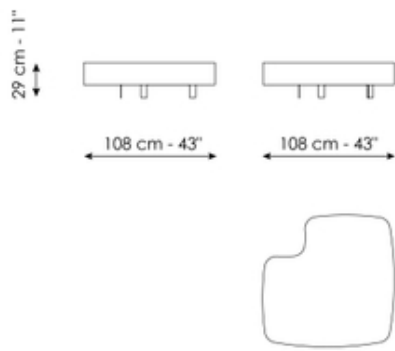
The shape of the tables makes them complementary and allows them to be combined in different configurations: the two elements can come together to expand the available surface or be used separately, adapting to different spatial needs. When used individually, they can be placed alongside sofas and armchairs as independent elements, bringing both function and character to different areas of the space.

Data sheet



Aspen 130

Width: 117cm
Depth: 130cm
Height: 29cm



Aspen 108

Width: 108cm
Depth: 108cm
Height: 29cm

Finishes

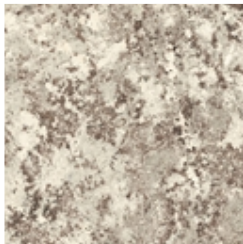
Top



Glass
Glossy brown



Glass
Glossy grey



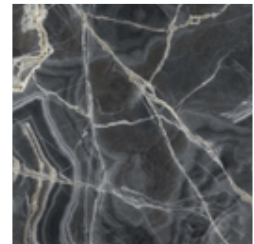
Mat ceramic
Alaska White



Mat ceramic
Ardesia grey



Mat ceramic
Augusta



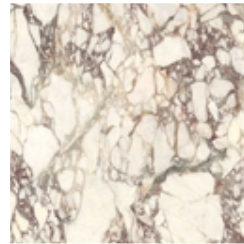
Glossy ceramic
Black Onyx



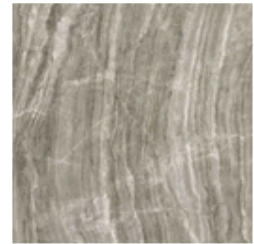
Glossy ceramic
Calacatta



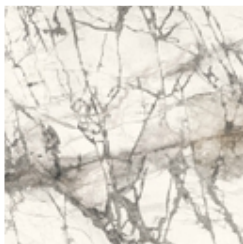
Silk finish ceramic
Calacatta macchia vecchia



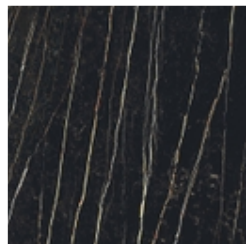
Glossy ceramic
Calacatta Viola



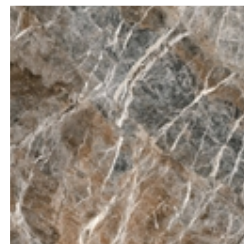
Silk finish ceramic
Daino Grigio



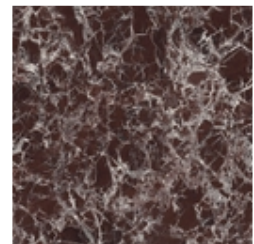
Glossy ceramic
Imperial grey



Mat ceramic
Laurent

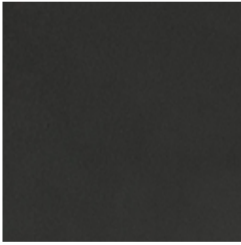


Glossy ceramic
Mountain peak



Glossy ceramic
Rosso imperiale

Base



Painted metal
Mat lead



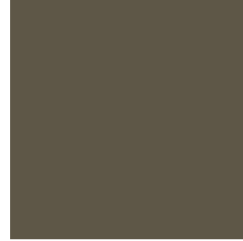
Painted metal
Mat bronze



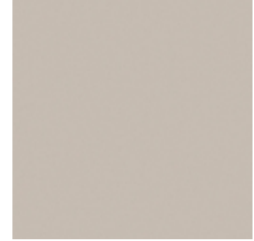
Metal finish
Clouded chrome



Metal finish
Bright nickel



Metal finish
Brown nickel



Metal finish
Champagne nickel



Metal finish
Dark nickel

Materials, fabrics, leathers, colors and finishes are approximate and may slightly differ from actual ones. You can find the complete collection of Bonaldo fabrics and leathers on the website <https://bonaldo.biz>